




# 49F/49FA Sockets

# RELAY SOCKETS







**Features**


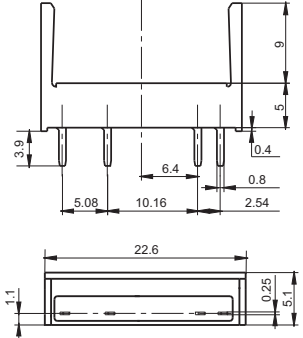
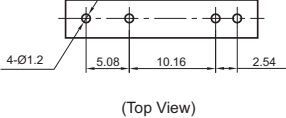

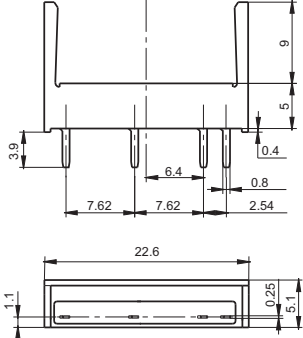
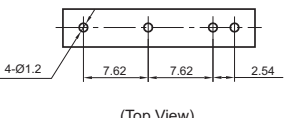
- The dielectric strength can reach 2000VAC and the insulation resistance is 1000MΩ
- Ensure secure retention of relays
- Applicable relay types: HF49FD relay with suffix (009) or suffix (086)
- Environmental friendly product (RoHS compliant)

## CHARACTERISTICS

Type	Nominal Voltage	Nominal Current	Ambient Temperature	Dielectric Strength min.
49F/49FA	250VAC	5A	-40 °C to 70°C	2000VAC

## OUTLINE DIMENSIONS, WIRING DIAGRAM AND PC BOARD LAYOUT

Unit: mm

Socket	Outline Dimensions	PCB Layout	Accessory Available
 <p>PCB terminal. PCB or Screw mounting Application for HF49FD relay of space between terminals 5.08mm and with suffix (009) or suffix (086).</p>	 <p>(Top View)</p>	 <p>(Top View)</p>	
 <p>PCB terminal. PCB or Screw mounting Application for HF49FD relay of space between terminals 7.62mm and with suffix (009) or suffix (086).</p>	 <p>(Top View)</p>	 <p>(Top View)</p>	

### Things to be noticed when selecting sockets:

1. Please choose suitable relay socket according to the actual mounting environment, relay contact poles and terminal layout. If there is any query on selection, please contact Hongfa for the technical service.
2. As for related components, they should be selected separately. Please do give clear indication of the types of relay sockets and related components you choose while placing order.
3. Main outline dimension(L, W, H) ≥50mm, tolerance should be ±1mm; outline dimension >20mm and <50mm, tolerance should be ±0.5mm; outline dimension ≤20mm, tolerance should be ±0.3mm.

### Disclaimer

The specification is for reference only. See to "Terminology and Guidelines" for more information. Specifications subject to change without notice. We could not evaluate all the performance and all the parameters for every possible application. Thus the user should be in a right position to choose the suitable product for their own application. If there is any query, please contact Hongfa for the technical service. However, it is the user's responsibility to determine which product should be used only.