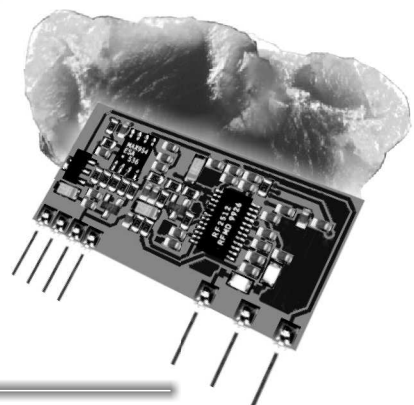
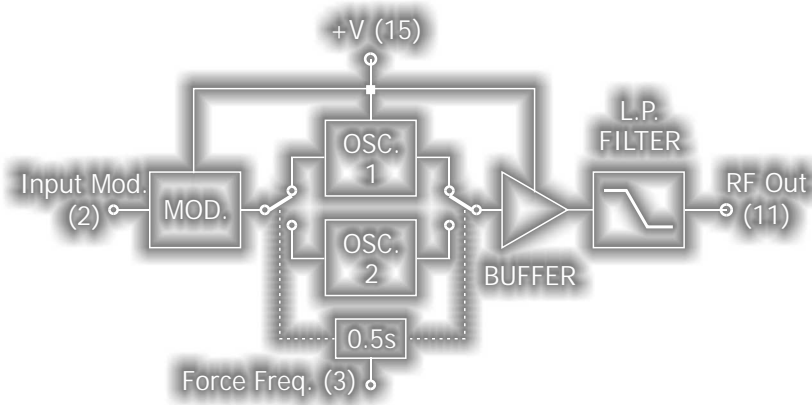


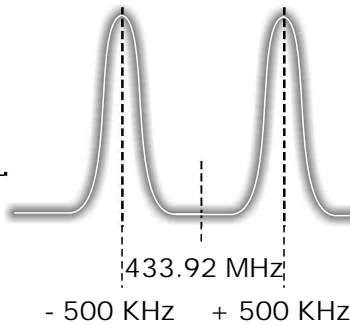
Dual Frequency Transmitter Module with EXTERNAL ANTENNA

TX-4D50PA10

10 dBm



- 1) Ground
- 2) Input Mod.
- 3) Force Freq. H/L
- 4) Ground
- 11) RF Output
- 13) Ground
- 15) +V



434 MHz

Information subject to change without notice

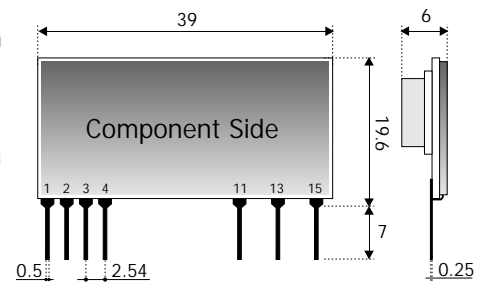
Description

PLL transmitter module with external antenna ideal when ON-OFF modulation of a RF carrier is needed from digital signals. RF frequency is automatically changed from 433.42 to 434.42 MHz every 0.5 sec. Input pin is provided to force one of the two frequencies. In compliance with EN 300 220.

Descrizione

Modulo trasmettitore quarzato PLL con antenna esterna per la modulazione ON-OFF della portante RF con dati digitali. La frequenza RF viene commutata da 433,42 a 434,42 MHz in maniera automatica ogni 0,5 secondi circa, o manuale, da una tensione esterna 0V/+Vs. In accordo con EN 300 220.

Mechanical Dimensions



Ta = 25 °C

Technical Specification

CHARACTERISTICS	MIN	TYP	MAX	UNIT
V _s Supply Voltage • Alimentazione	4.8	5	5.2	Vdc
I _s Supply Current • Corrente assorbita		16		mA
F _c Carrier frequency • Frequenza portante	433.42		434.42	MHz
P _o RF Output power • Potenza di uscita RF		+10		dBm
Z _o RF Output Impedance • Impedenza d'uscita RF		50		Ω
F _m Square wave modulation • Frequenza di modulazione		2		KHz
L ₁ Input logic level • Livello logico d'ingresso	0		V _s	V
T _{op} Operating temperature range • Temperatura di lavoro	-20		+70	°C



Technical Mail : Lab-el@aurel.it

