

# JQC-12FF

# SUBMINIATURE HIGH POWER RELAY



File No.:E134517



File No.:CQC02001001953



## Features

- 5A, 10A switching capabilities
- SPST-NO configurations
- Subminiature, standard PC layout
- Sealed and Unsealed types available

## CONTACT DATA

Contact Arrangement	1A
Initial Contact Resistance Max.	100mΩ (at 1A 24VDC)
Contact Material	AgSnO
Contact Rating (Res. Load)	5A 250VAC/30VDC 10A 125VAC
Max. switching voltage	250VAC
Max. switching current	10A
Max. switching power	1250VAC /150W
UL/CUR rating	12A 125VAC Res.
	10A 277VAC/30VDC Res.
	TV5
	1/4HP 125VAC/250VAC
Mechanical life	1 x 10 <sup>7</sup> OPS
Electrical life	1 x 10 <sup>6</sup> OPS

## COIL

Coil power	0.45W
------------	-------

## COIL DATA

Nominal Voltage VDC	Pick-up Voltage VDC	Drop-out Voltage VDC	Max. allowable Voltage VDC(at 20°C)	Coil Resistance Ω
3	2.25	0.15	3.90	20 ± 10%
5	3.75	0.25	6.50	55 ± 10%
6	4.50	0.30	7.80	80 ± 10%
9	6.75	0.45	11.7	180 ± 10%
12	9.00	0.60	15.6	320 ± 10%
18	13.5	0.90	23.4	720 ± 10%
24	18.0	1.20	31.2	1280 ± 10%

## CHARACTERISTICS

Initial Insulation Resistance	100MΩ 500VDC
Dielectric Strength	Between coil and Contacts 2500VAC 1min.
	Between open contacts 1000VAC 1min.
Operate time (at nomi. Volt.)	8ms
Release time (at nomi. Volt.)	5ms
Shock Resistance	Functional 100 m/s <sup>2</sup>
	Destructive 1000 m/s <sup>2</sup>
Vibration Resistance	1.5mm, 10 to 55Hz
Humidity	35 to 95%
Ambient temperature	-40°C to +70°C
Termination	PCB
Unit weight	Approx. 6g
Construction	Sealed & Unsealed



HONGFA RELAY  
ISO9001/QS9000/ISO14000 CERTIFIED

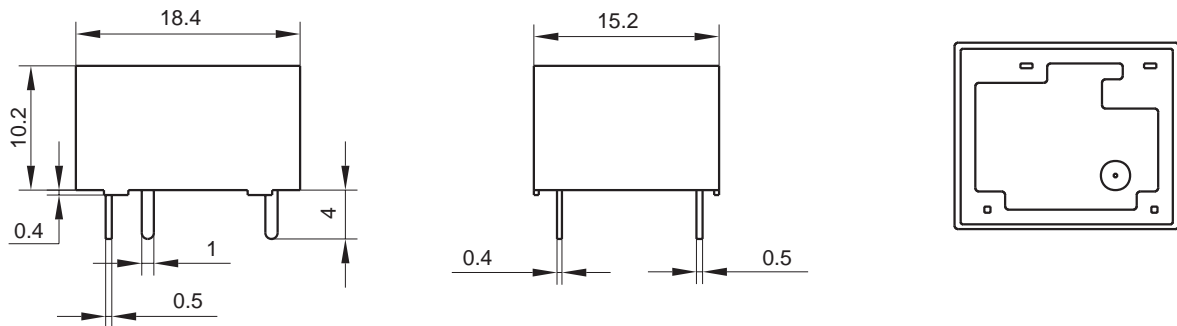
VERSION: EN01-20020620

## ORDERING INFORMATION

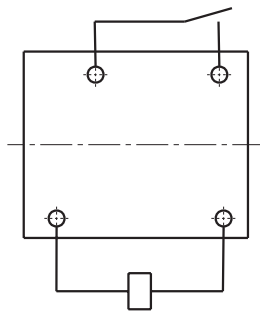
Type	JQC-12FF /	012	H	S
Coil voltage	3, 5, 6, 9, 12, 18, 24VDC			
Contact arrangement	H:SPST-NO			
Structure	Nil: Unsealed    S: Sealed			

## OUTLINE DIMENSIONS, WIRING DIAGRAM AND PC BOARD LAYOUT

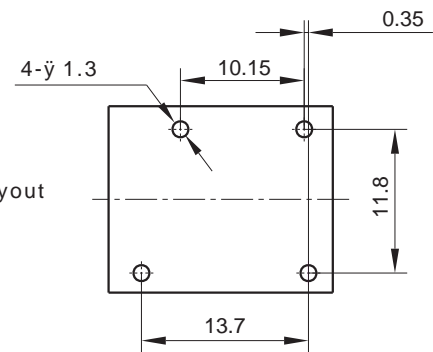
Outline Dimensions



Wiring Diagram

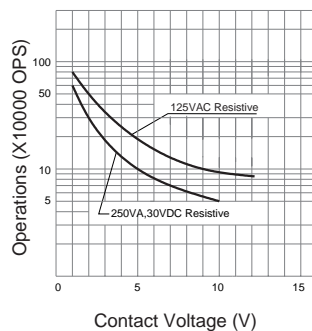


PCB layout

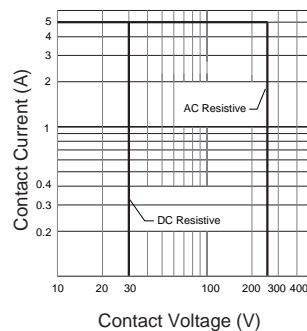


## CHARACTERISTICS CURVE

LIFE CURVE



MAXIMUM SWITCHING POWER



COIL TEMPERATURE RISE

