

Product Specification

Name: Wireless remote control 0-10V dimmer

Model: NDM15

Control mode: Remote Control or Mobile via Broadlink Rm PRO



Summarization

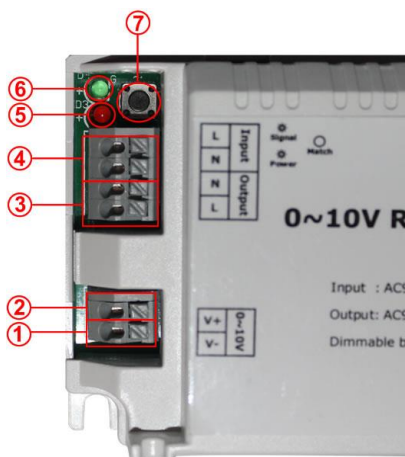
NDM15 dimmer is a 0-10V dimmer with wireless remote control can be used with Broadlink RM pro for mobile control, NDM15 inherited the advantages of low voltage controller, adopt wireless remote control, easy to control, use good quality white plastic shell, the color unify with remote control, pay attention to appearance design aesthetic feeling; Through hardware and software optimized the light adjusting effect, to provide you more comfortable than traditional lighting controller, safe and convenient intelligent lighting control, thus to the user in a fresh, comfortable lighting environment.

Main technical parameters

- Working temperature: -20-60°C
- Remote control distance: <20m

- Power supply voltage: 90~240VAC, 50~60Hz
- Output: 1 channel
- Net weight: 141.7g
- External dimension: L104×W68×H30mm
- Static power consumption: <3W
- 0-10V output current: <15mA
- Output voltage: 90~240VAC, 50~60Hz
- Output signal: 0-10V
- Gross weight: 177.4g
- Packing size: L145×W52×H91mm
- Relay output power: < 200W
- Mobile control

Interface instruction



- ① V-, output 0-10V signal negative pole;
- ② V+, output 0-10V signal positive pole;
- ③ Output, relay output interface (0-10V dimmer power supply input interface), output voltage is 90~240VAC, 50~60Hz;
- ④ Input, power supply input interface, input voltage is 90~240VAC, 50~60Hz;
- ⑤ Power red light, when the controller power supply is normal, power supply red indicator light always bright;
- ⑥ Signal green light, when the controller in dealing with a remote control signal, signal green indicator light flicker;
- ⑦ Match, remote control match code key. This controller can match 2 remote control to common control. Use sharp non-conducting objects to press the match key on controller, and at the same time long press the on/off key on controller more than 3s, then finished the match code, after match code successful, the load light will flicker. When match the first remote control, the load light will flicker 3 times, when match the second remote control, the load light will flicker 6 times, Since then every time match code will replace the earlier match code remote control.

Operating instruction

Remote control has 3 buttons, and the functions as follows:



ON/OFF key, you can turn on/off dimmer at any power on state; Regardless of the controller is switched on or off, long press this key and controller match code key at the same time, it can match code.



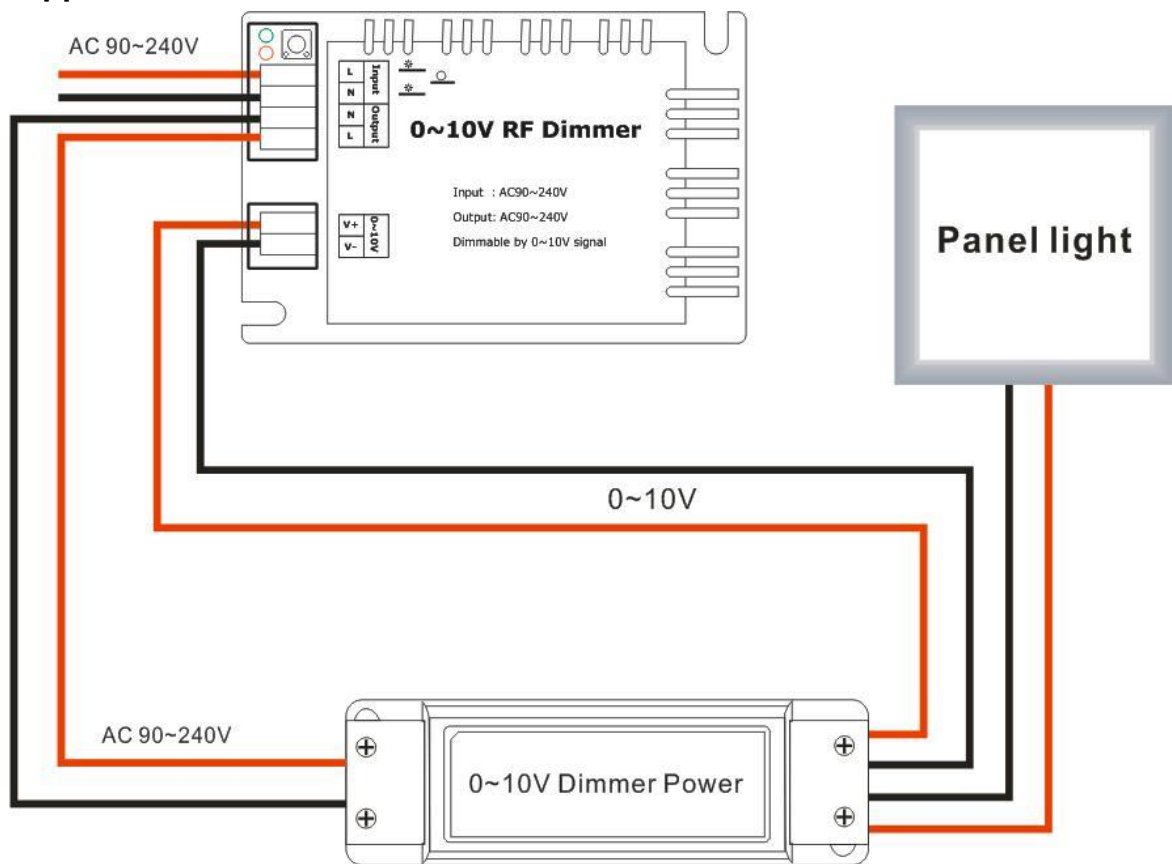
Add brightness key, when power on, every time short press this key, the brightness add 1 level, the brightness will increase rapidly with long press, until 255;



Minus brightness key, when power on, every time short press this key, the brightness minus 1 level, the brightness will reduce rapidly with long press, until 1;

Match code operate instruction: This controller can match 2 remote control to common control. Long press the on/off key on remote and match code key on controller more than 3s, then finish match code, after match code successful, the load light will flicker. When match the first remote control, the load light will flicker 3 times, when match the second remote control, the load light will flicker 6 times, Since then every time match code will replace the earlier match code remote control.

Typical Applications



Remarks

1. Connect the load wire at first, following by the power wire; **Please ensure short circuit cannot occur between connecting wire before you turn on the power;**
2. Power supply voltage range is AC90~240V, more than voltage range maybe will burnout the controller.
3. **Control it via Remote or BROADLINK RM PRO**